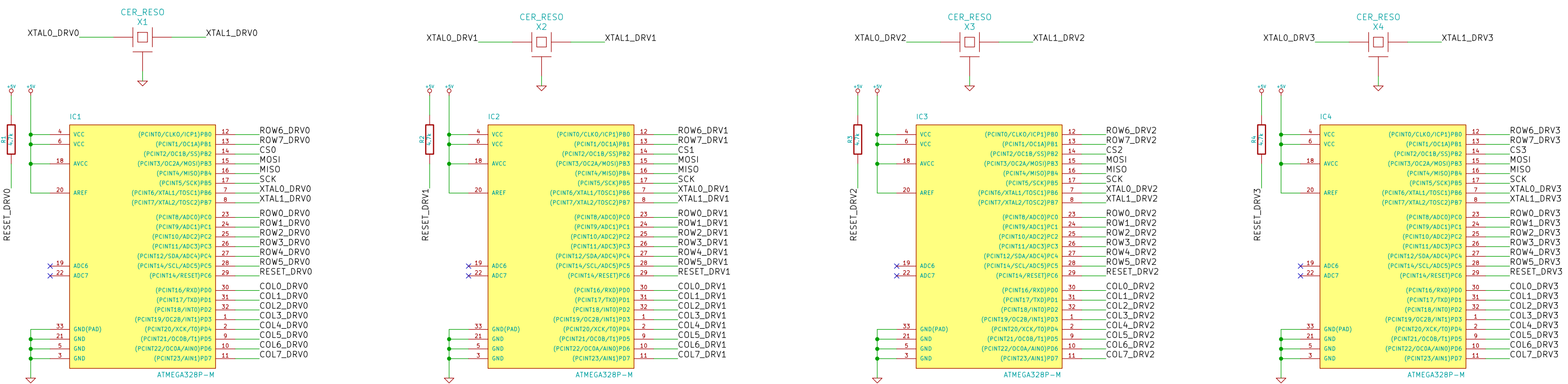


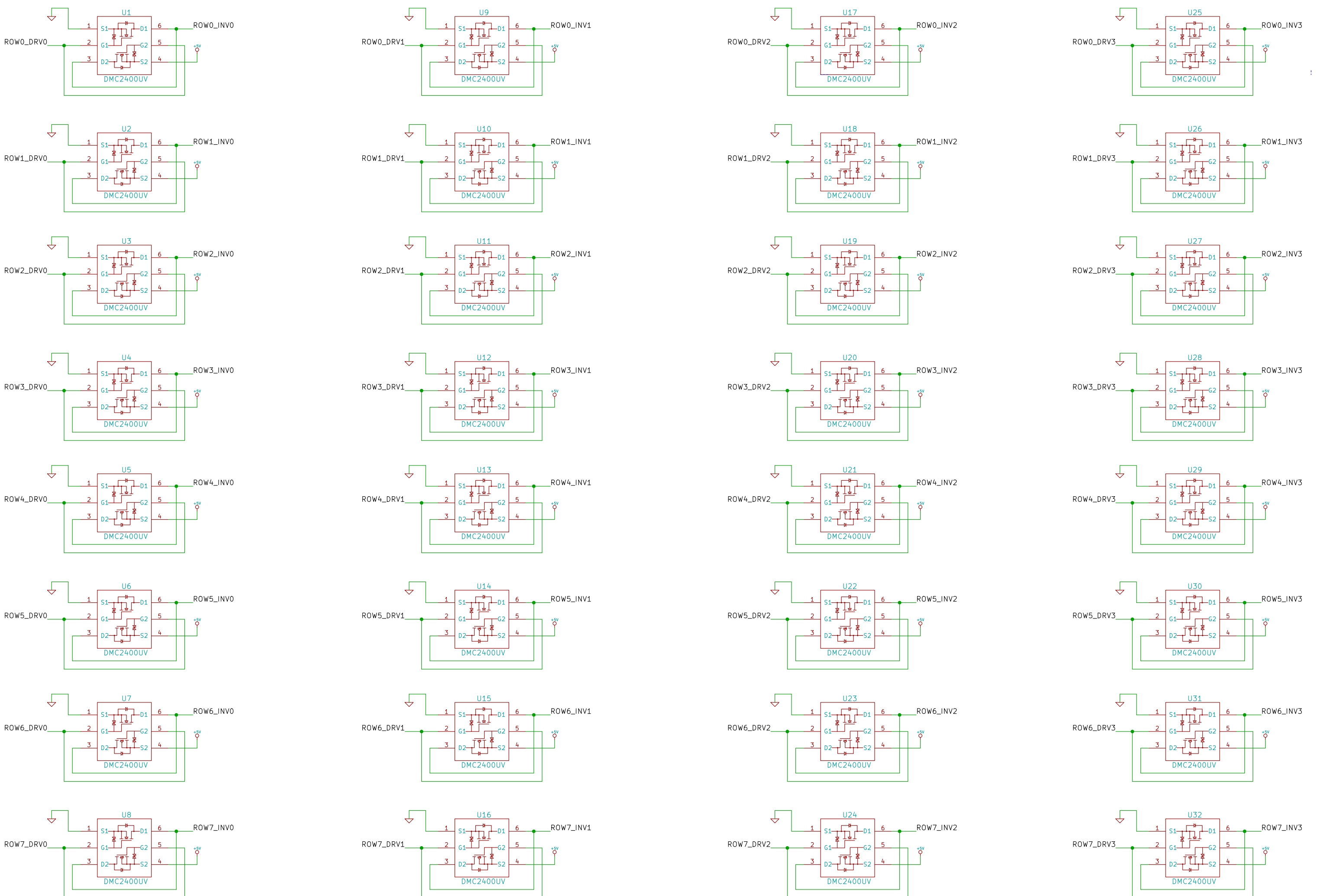
## LED\_MATRIX\_DRIVERS



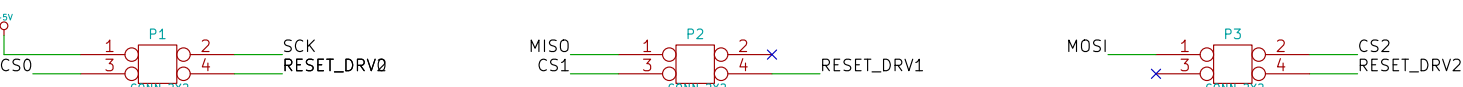
## LED Matrices



## INVERTING BUFFERS (ILED CATHODES)



## BOARD-TO-BOARD CONNECTORS



## POWER FILTERING

