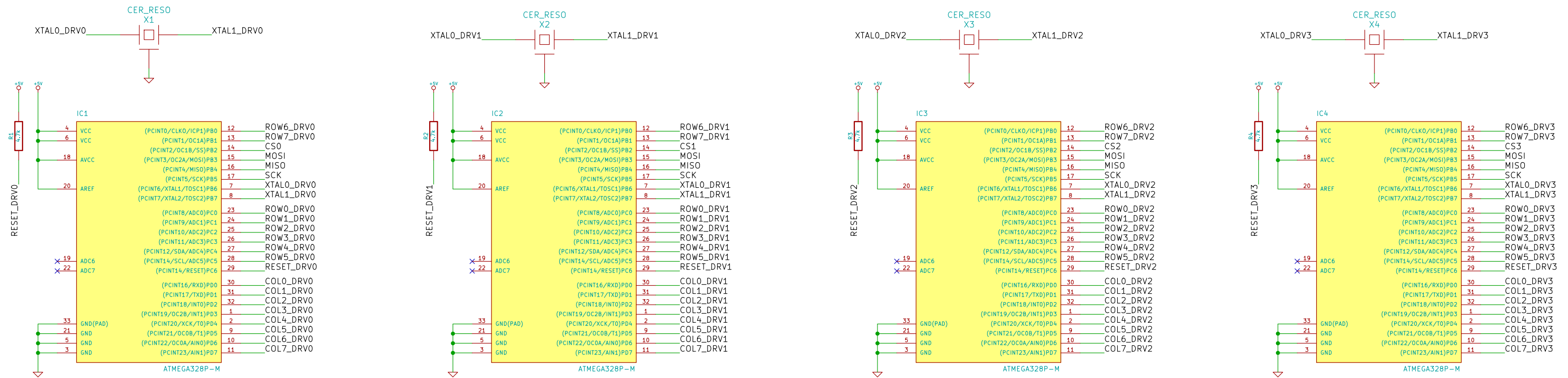
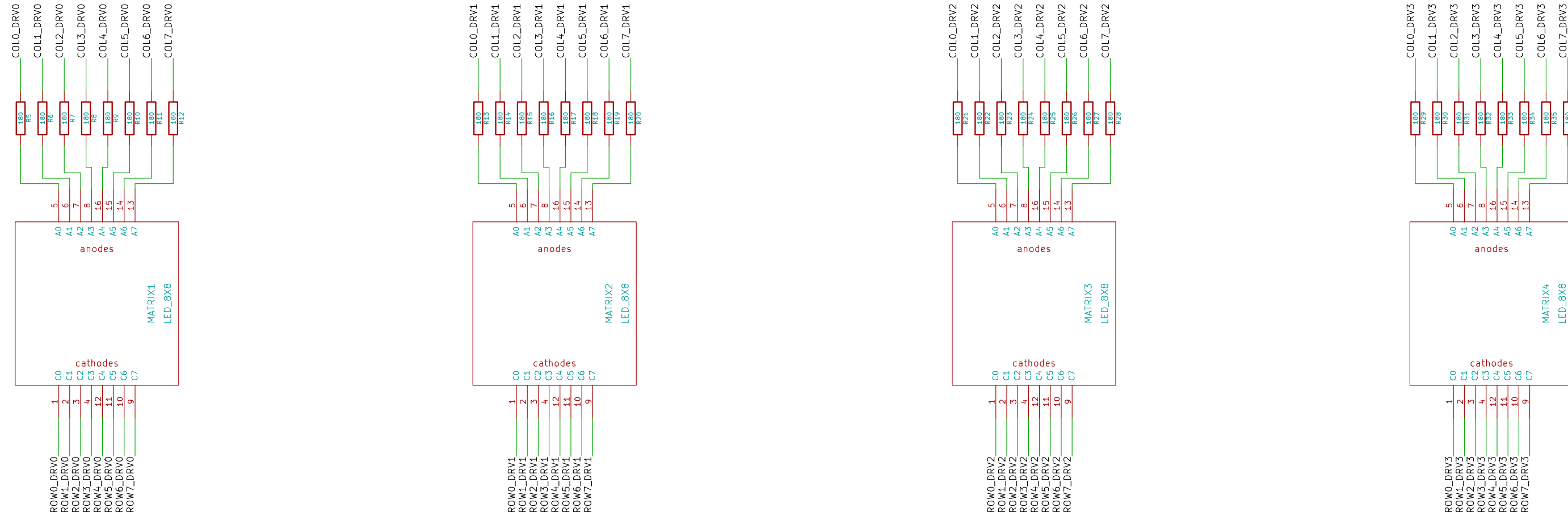


## LED\_MATRIX\_DRIVERS



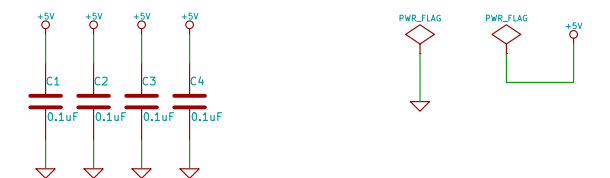
## LED Matrices



## BOARD-TO-BOARD CONNECTORS



## POWER FILTERING



File: driver.sch		
Sheet: /		
Title:		
Size: User	Date:	Rev:
KiCad E.D.A.		Id: 1/1