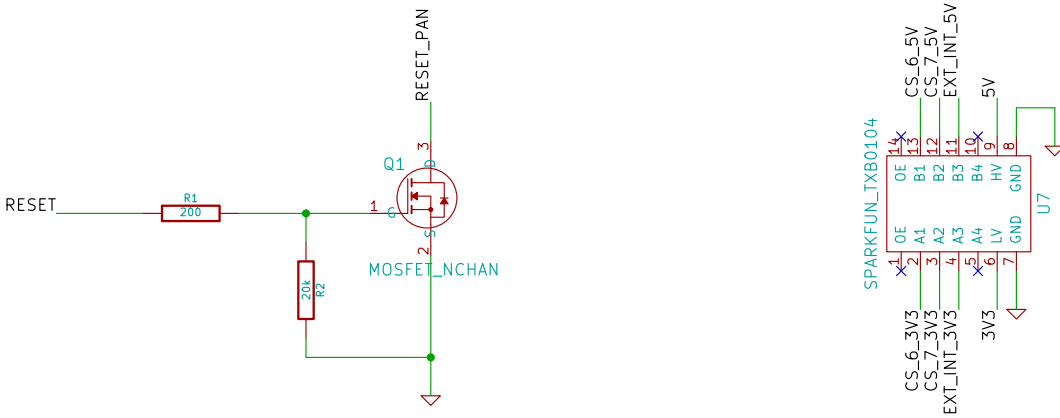
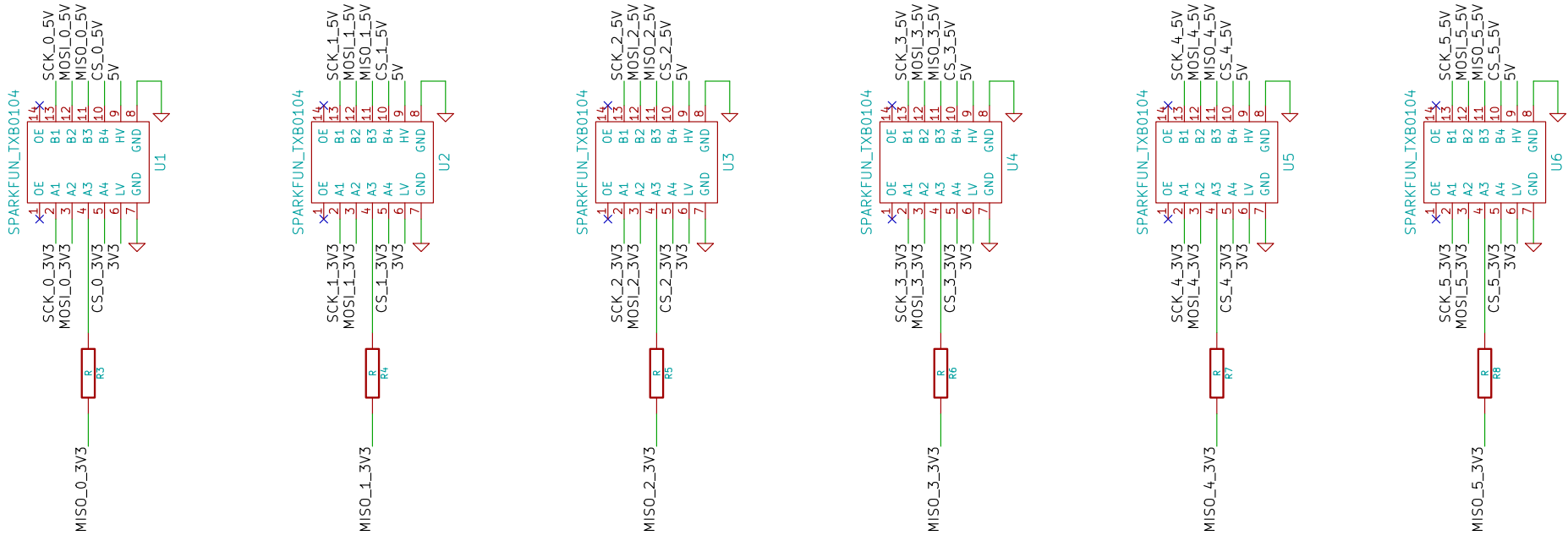
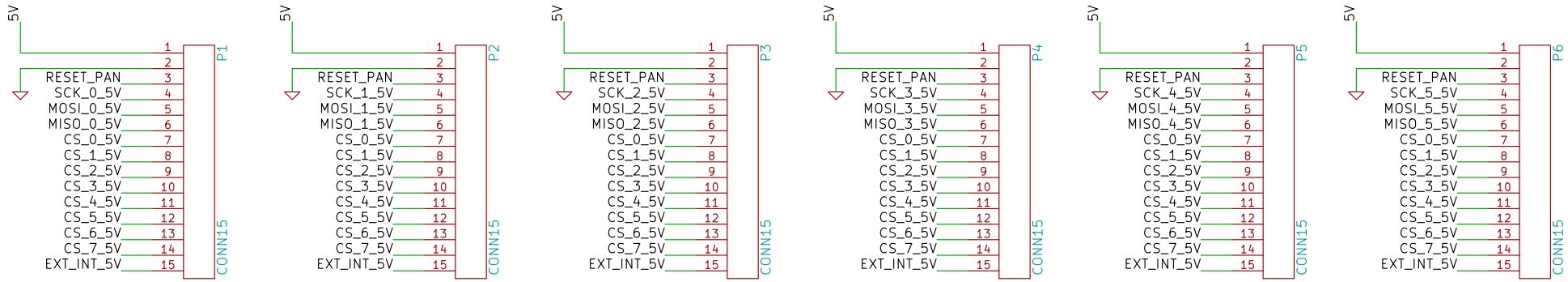
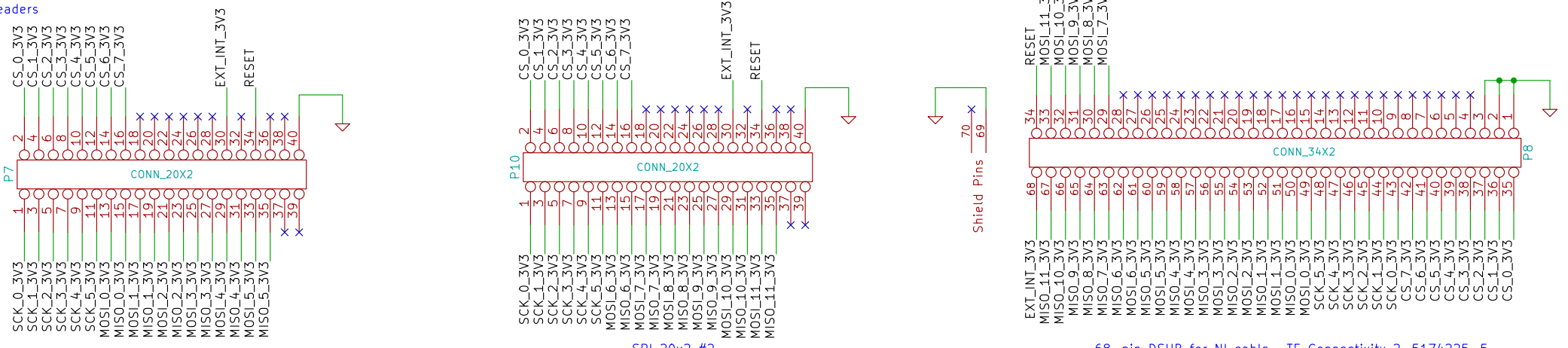


Panel Headers



SI2302-TP (Digikey SI2302-TPMSCT-ND)

SPI Headers



SPI 20x2 #1

SPI 20x2 #2

68-pin DSUB for NI cable, TE Connectivity 2-5174225-5 Digikey PN A33476-ND

20x2 Header (Digikey HRU40H-ND), IDC Cable (Digikey HKC40S-ND)

Power

