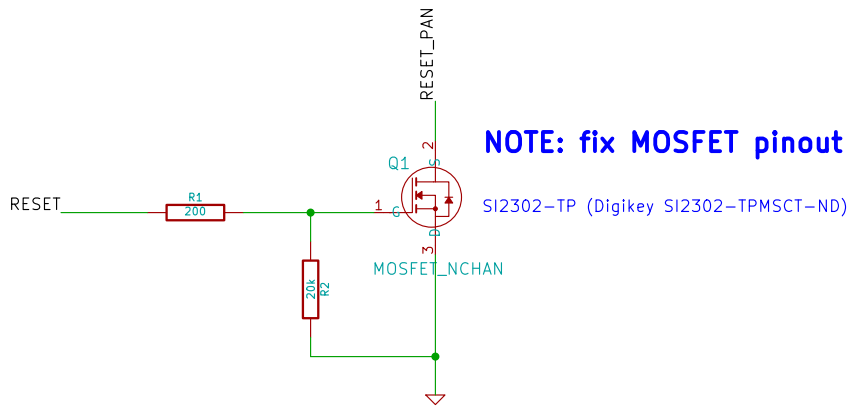
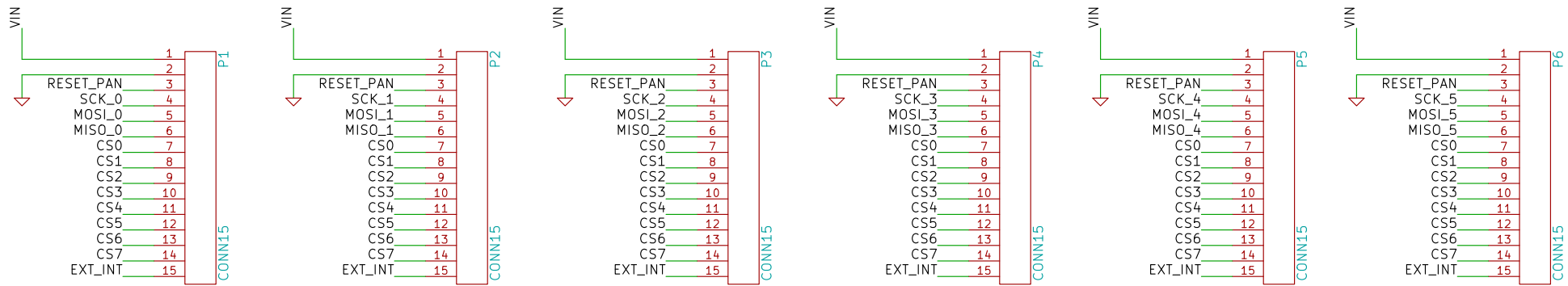
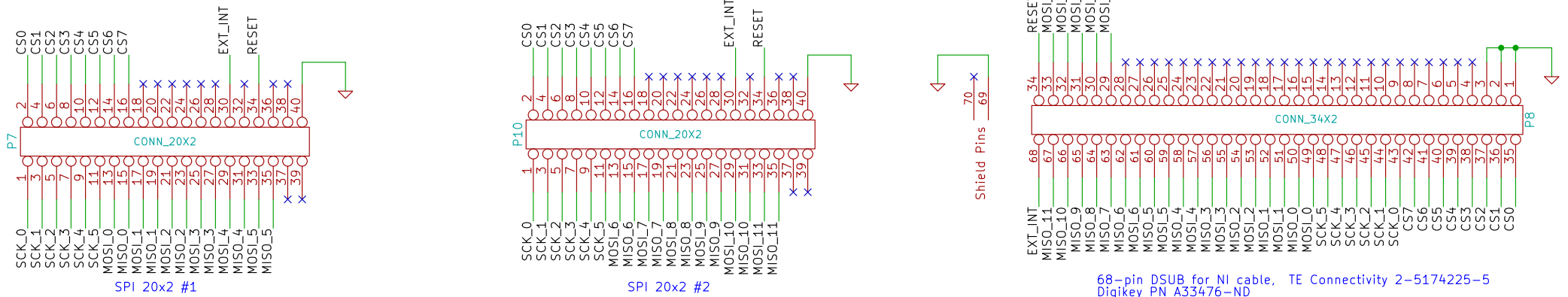


Panel Headers



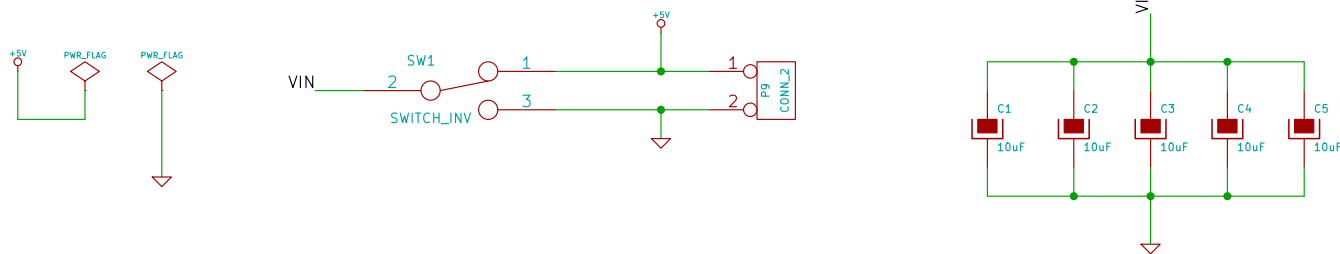
SPI Headers



20x2 Header (Digikey HRU40H-ND), IDC Cable (Digikey HKC40S-ND)

68-pin DSUB for NI cable, TE Connectivity 2-5174225-5
Digikey PN A33476-ND

Power



File: arena.sch		
Sheet: /		
Title:		
Size: User	Date:	Rev:
KiCad E.D.A.		Id: 1/1