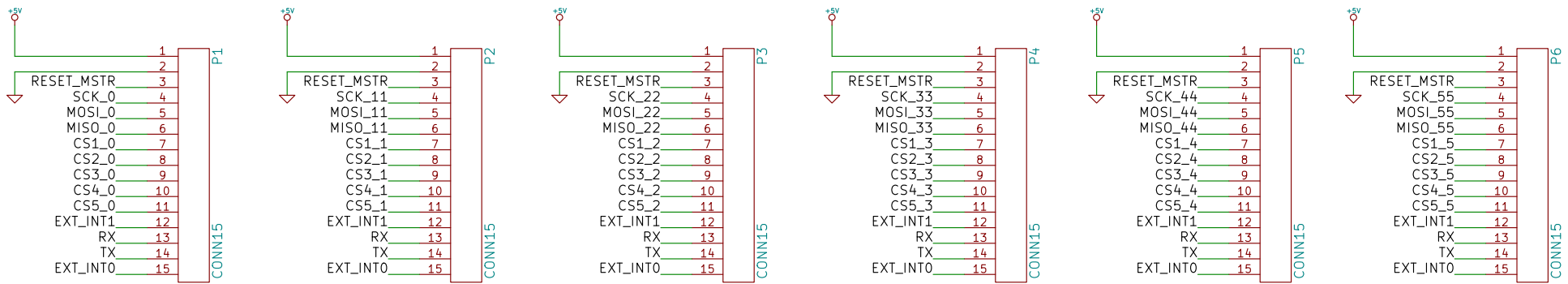
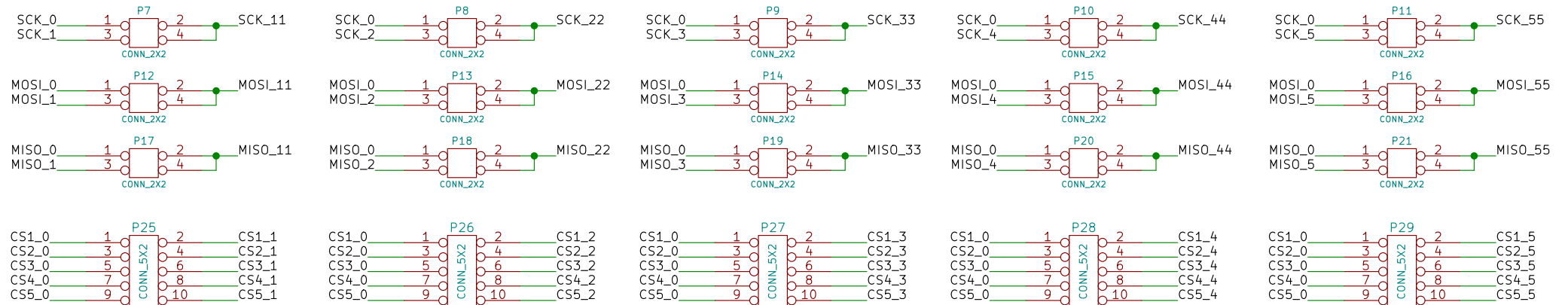


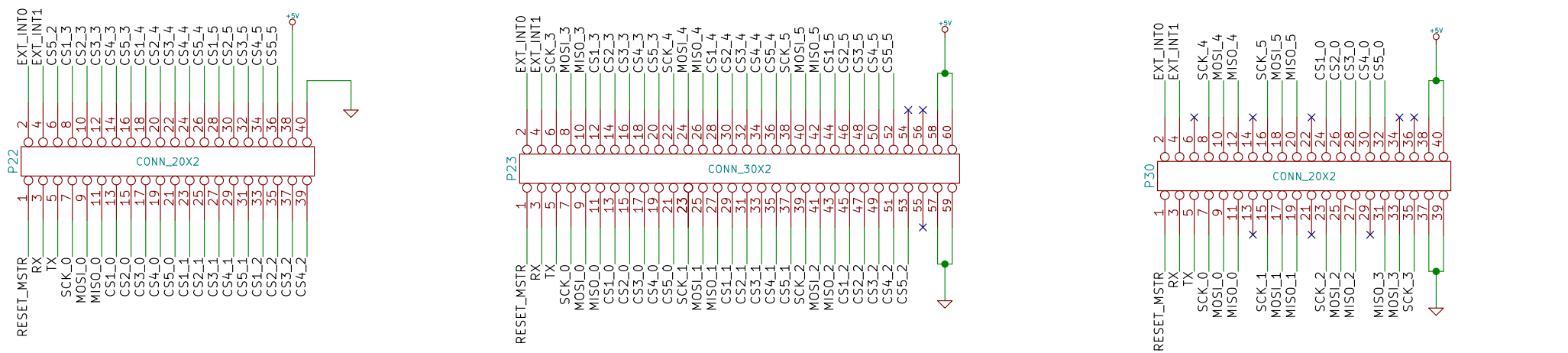
Panel Headers



Bus Selectors



SPI Headers

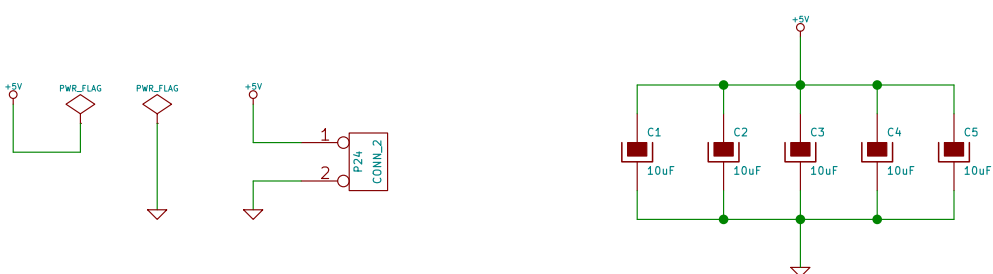


20x2 Header (Digikey HRU40H-ND), IDC Cable (Digikey HKC40S-ND)

30x2 Header (Digikey HRU60H-ND), IDC Cable (Digikey HKC60S-ND)

20x2 Header (Digikey HRU40H-ND), IDC Cable (Digikey HKC40S-ND)

Power



File:		
Sheet: /home/wbd/work/iorodeo/products/panels_g4_hardware/atmega328/four_panel/20mm_matri		
Title:		
Size:	User:	Date:
KiCad E.D.A.		eeschema (2013-mar-13)-testing
Rev:		Id: 1/1