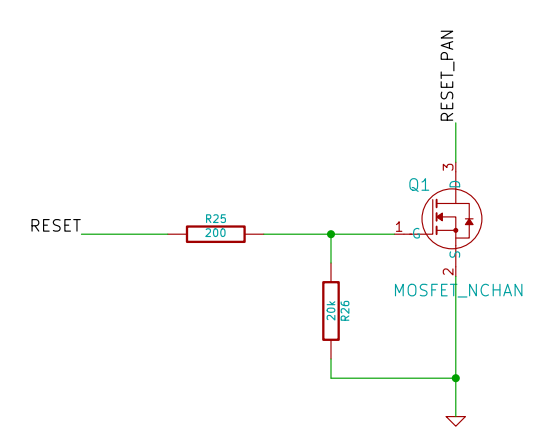
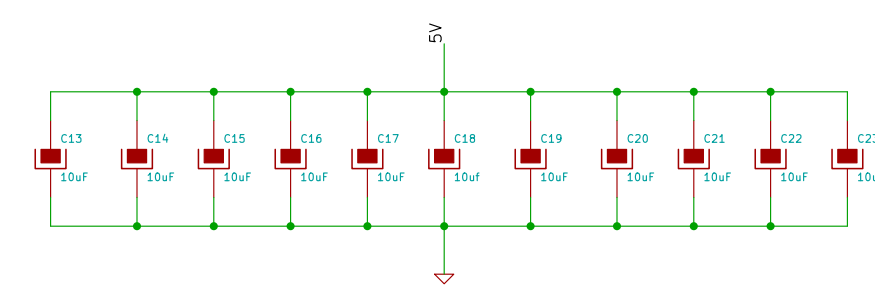
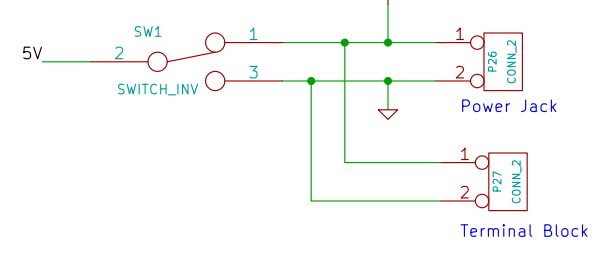
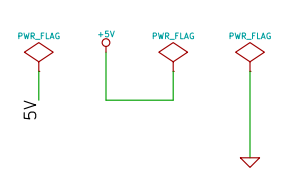
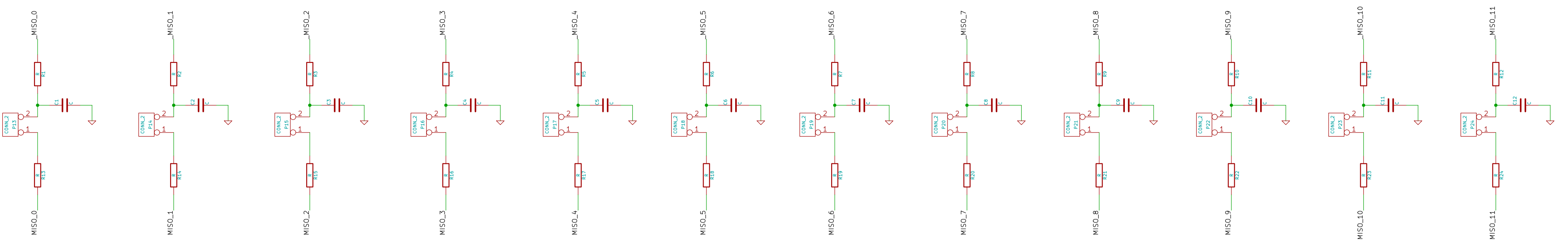
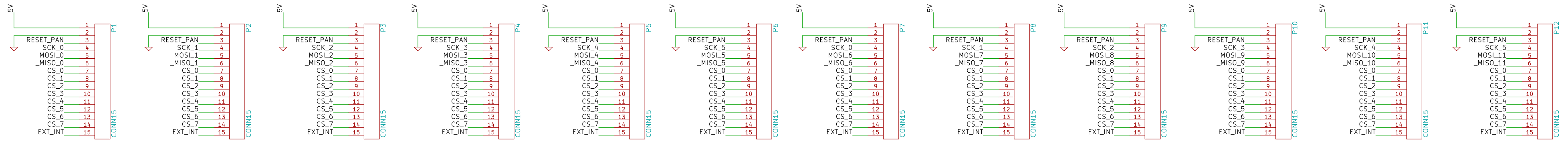
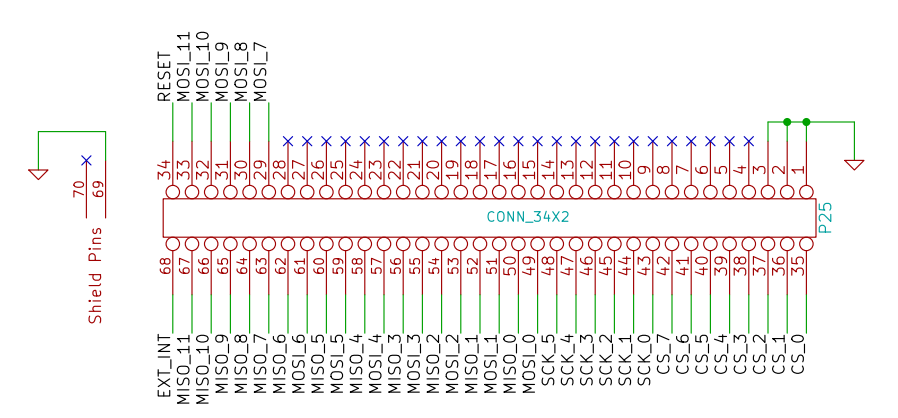
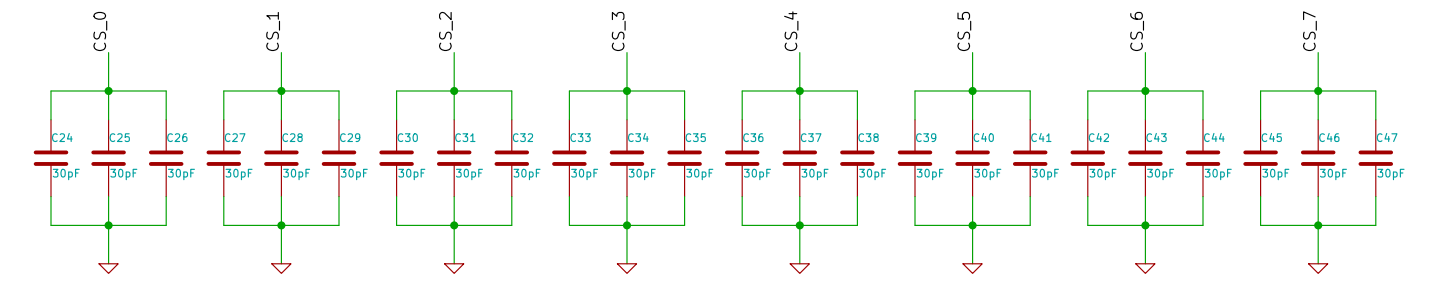
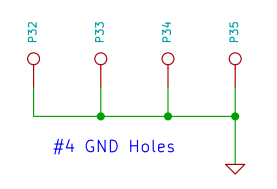
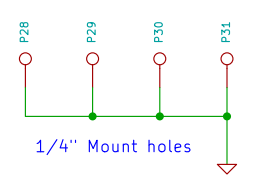


Panel Headers



SI2302-TP (Digikey SI2302-TPMST-ND)



68-pin DSUB for NI cable, TE Connectivity 2-5174225-5  
Digikey PN A33476-ND