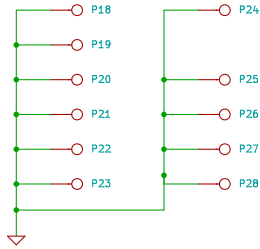
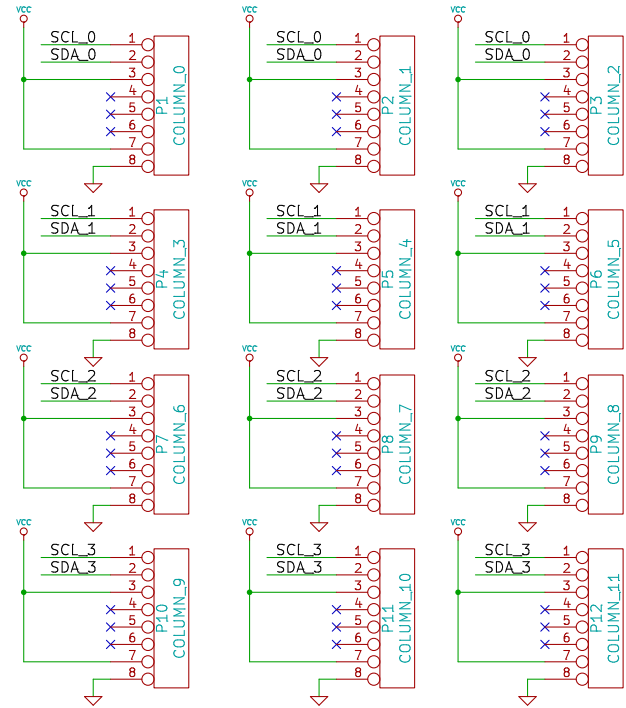
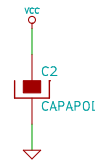
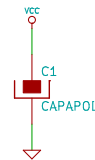
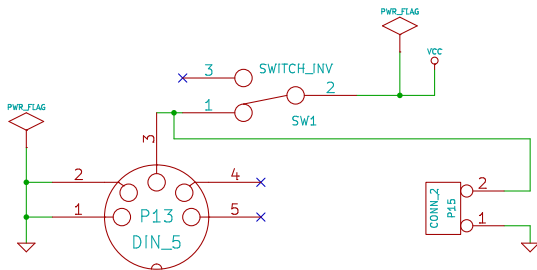


8-32 mounting holes



1/4-20 mounting holes



Janelia / IO Rodeo

File: panels_ring_12_20.sch

Sheet: /

Title: Panels Ring 12 x 20

Size: A4 Date: 26 jan 2011

Rev: 1.0

KiCad E.D.A. eschema (2010-03-14)-final

Id: 1/1